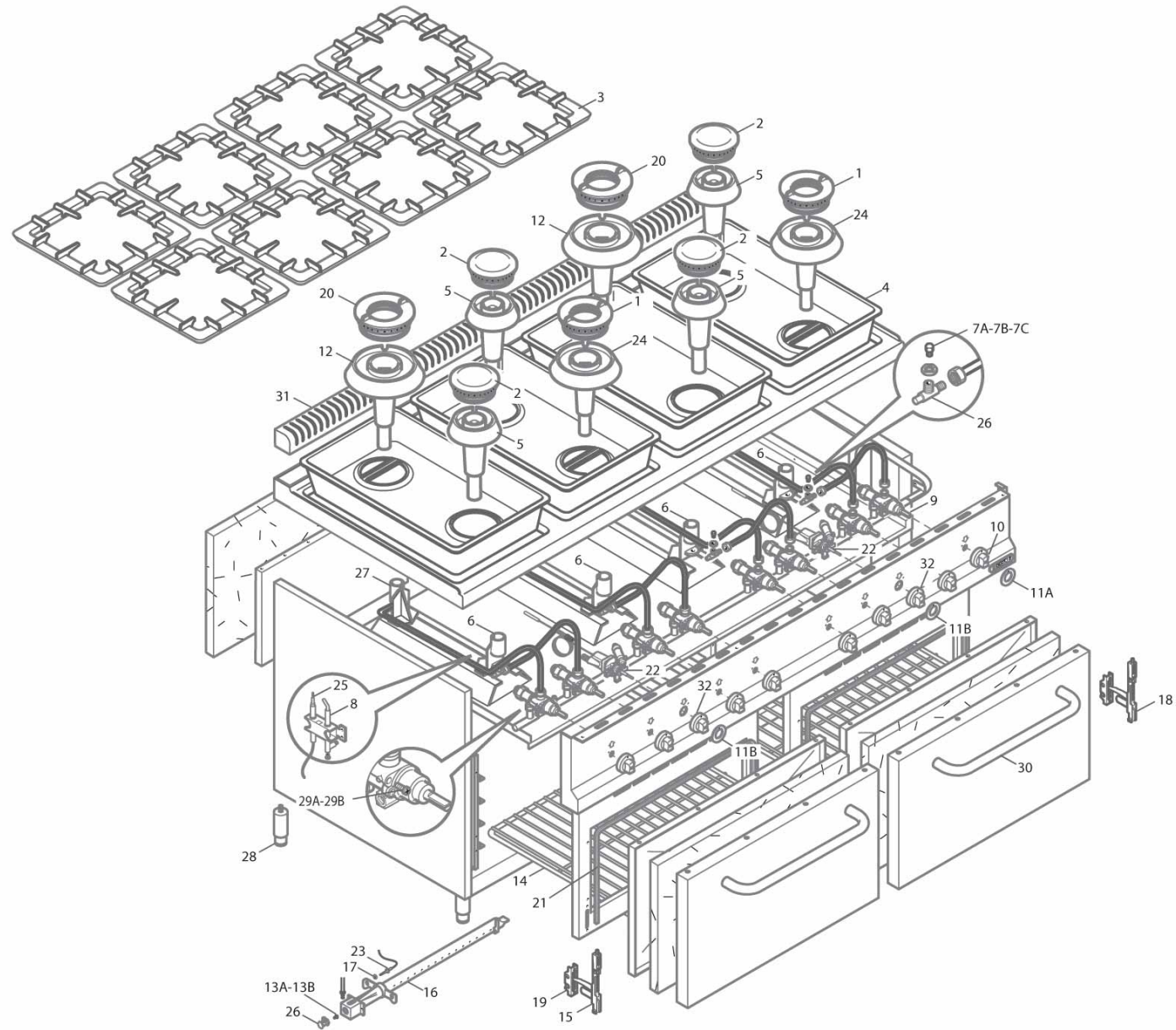




# G9F8+2FG1





## G9F8+2FG1

Pos. Item	Codice Code	Descrizione	Item Description	Designation articles	Artikelbeschreibung	Decripción artículos	N° pezzi - No. pieces				
1	31954300	Spartif.bruc.d 6kw cromato	6kw burner cap	Chapeau bruleur 6kw	Flammenkranz 6kw	Sombrerete 6kw					2
2	31954400	Spartif.bruc.c 3,5kw cromato	3,5kw burner cap	Chapeau bruleur 3,5kw	Flammenkranz 3,5kw	Sombrerete 3,5kw					4
3	35856500	Griglia rough nero 900	Black rough grill	Grille rough noire	rough rost	Parrilla negra rough					8
4	35779400	Bacinella acc.inox 900	Inox tank cookers 900	Cuve inox fourneaux 900	Inox becken 900	Cubeta inox cocinas 900					4
5	31807200	Corpo bruc.c 3,5kw cromato	Chromium-plated burner body 3,	Corps bruleur chrome 3,5kw	Brenner koerper 3,5kw verchrom	Cuerpo quemador cromado 3,5 kw					4
6	31913600	Supp. bruciatore c/d cucina	Burner support	Support bruleur	Brennerhalter	Soporte quemador					6
7B	40000000	Ugello: indicare modello e tip	Injector: specify model and ga	Gliceur: specifier modele et g	Duese: modell und gas-typ zeig	Tobera: precisar modelo y tipo					3
7A	40000000	Ugello: indicare modello e tip	Injector: specify model and ga	Gliceur: specifier modele et g	Duese: modell und gas-typ zeig	Tobera: precisar modelo y tipo					3
7C	40000000	Ugello: indicare modello e tip	Injector: specify model and ga	Gliceur: specifier modele et g	Duese: modell und gas-typ zeig	Tobera: precisar modelo y tipo					3
8	31291300	Pilota cuc.700 (2 posit.)	Cooker pilot (2 posit.)	Veilleuse forneau (2 posit.)	Herd zundflamme	Piloto cocina (2 posit.)					10
9	31273700	Rubinetto pel21s;9x1;bypas100	Cock pel 21/s	Robinet pel 21/s	Hahn pel 21/s	Llave pel 21s					8
10	35877100	Manopola rossa p. 8x6,5 a 180°	Red knob p. 8x6,5 a 180°ral300	Manette rouge p. 8x6,5 a 180°	Drehknopf p. 8x6,5 a 180°ral30	Mando rojo p. 8x6,5 a 180°ral3					8
10	35876100	Manopola rossa p. 8x6,5 a 180°	Red knob 8x6,5 180°	Manette rouge 8x6,5 180°	Drehknopf 8x6,5 180°	Mando rojo 8x6,5 180°					8
11A	31952200	Serig.rossa manop.gas plg-cpg-	Red gas knob serigraphy	Serigraphie rouge manette	Rote drehknopfserigraphie	Serigrafia roja mando					8
11B	31952400	Ser.rossa manop.forno gas fg1	Red gas knob serigraphy	Serigraphie rouge manette	Rote drehknopfserigraphie	Serigrafia roja mando					2
12	35807000	Corpo bruciat. cromato 9kw	9kw burner body	Corps bruleur 9kw	Korper brenner 9kw	Cuerpo quemador 9kw					2
13A	40000000	Ugello: indicare modello e tip	Injector: specify model and ga	Gliceur: specifier modele et g	Duese: modell und gas-typ zeig	Tobera: precisar modelo y tipo					2
13B	40000000	Ugello: indicare modello e tip	Injector: specify model and ga	Gliceur: specifier modele et g	Duese: modell und gas-typ zeig	Tobera: precisar modelo y tipo					1
14	24848700	Grc 60/40 griglia pasticceria	Grill pastry	Grille patisserie	Rost konditorei	Parrilla pasteleria					2
15	31802100	Cerniera sx forno cucine	left oven hinge	Charniere gauche four	Linksseitiges scharnier	Bisagra izda. horno					2
16	22275500	Bruciatore supp.termocop.xfg1	Burner thermocouple support	Bruleur support thermocouple	Brenner termoelementhalter	Quegador soporte termopar					2
17	22290900	Dado x termocoppia fg1	Thermocouple nut	Ecrou pour thermocouple	Mutter fur thermoelement	Tuerca para termopar					1
18	31802000	Cerniera dx forno cucine	Right oven hinge	Charniere droite four	Rechtsseitiges scharnier	Bisagra derecha horno					2
19	31802500	Portarullino cerniera forno	Roller-bearing oven hinge	Porte-rouleau charniere four	Rollenhalter scharniere fuer b	Soporte rodillo bisagra horno					4
20	35954300	Spartif.bruc.e 9kw cromato	9kw burner cap	Chapeau bruleur 9kw	Flammenkranz brenner 9kw	Sombrerete quemador 9kw					2
21	31859000	Guarniz. a metro forno 2/1gn	Seal for oven 2/1gn	Joint pour four 2/1gn	Meter-turdichtung ofen 2/1gn	Junta por horno 2/1gn					2
21	31858800	Guarnizione in fibra di vetro	Glass fibre t oven seal l=1750	Joint de porte en fibre de ver	Turdichtung aus glasfaser, t	Guarnizione in fibra di vetro					2
22	22274000	Rubinetto forno by-pass 0.52	Oven tap by-pass 0.52	Robinet four by-pass 0.52	Hahn fur backofen by-pass 0.52	Llave de paso horno					2
23	22287500	Termocoppia x fg1	Oventhermocouple	Thermocouple four	Thermoelement backofen	Termopar horno					2
24	31807000	Corpo bruc.d 6kw cromato	Chromium-plated burner body 6k	Corps bruleur chrome 6kw	Brenner koerper 6kw verchromt	Cuerpo quemador cromado 6kw					2
25	22289200	Termocoppia 600 mm x plg/cpg/c	Thermocouple 600mm	Thermocuple 600mm	Thermoelement 600mm	Termopar 600mm					8
26	32327600	Portaugello gl-plg-cpg-cucine	Injector holder	Support injecteur	Dusenhalter	Soporte de tobera					10
27	35913600	Supp. bruc. e 9kw cucina	9kw burner support	Support bruleur 9kw	Brennerhalter 9kw	Soporte quemador 9kw					2
28	24684200	Piedino inox 1 1/2 h-125/175	Foot 1 1/2 h-125/175	Pied 1 1/2 h-125/175	Fuss 1 1/2 h-125/175	Pata 1 1/2 h-125/175					4
29B	22783500	By-pass 45 x rubin. pel20/21s	By-pass 45 for tap pel20/21s	By-pass 45 pour robinet pel20/	By-pass 45 fur hahn pel20/21s	By-pass 45 para pel20/21s					4
29A	22783600	By-pass 55 x rubin. pel20/21s	By-pass 55 for tap pel20/21s	By-pass 55 pour robinet pel20/	By-pass 55 fur hahn pel20/21s	By-pass 55 para pel20/21s					4
30	31874000	Maniglia sez.ovale aisi 304 42	Handle aisi 304 425 x 41	Poignee aisi 304 425 x 41	Griffe aisi 304 425 x 41	Asa aisi 304 425 x 41					2
30A	31979000	Terminale crom.lucido plastica	Chromium-plated terminal	Terminal chromE poli	Verchromte grifendverschluss	Terminal cromado lustroso					4
30A	31979200	Terminale rosso plastica term	Red plastic terminal	Cosse rouge plastique therm.	Roter thermo-kunststoffverschl	Terminal rojo plastico					4
31	35856100	Ass. griglia camino 800 aisi 3	Chimney grill 800 aisi 304 12/	Grille hotte 800 aisi 304 12/1	Grill kamin 800 aisi 304 12/10	Parrilla chimenea 800 aisi 304					2

